

Master Puller Sets include a hydraulic puller, cylinder, a pump with hose and gauge for standard pulling applications, as well as a selection of accessories designed for work environments where clearance prevents a direct application of the puller jaws.



### Lock-Grip Pullers:

All sets come with a hydraulic LGH-Series Puller. Both two jaw and three jaw versions are available.



### Detachable Hollow Cylinder:

Provided with all hydraulic pullers as well as the Cross Bearing Puller.



### Pump with Hose and Gauge:

Hydraulic Puller Sets and Master Puller Sets are supplied with a hose, gauge, and your choice of a hand, air, electric or battery-powered cordless pump.



### Cross Puller:

Hydraulically powered via a detachable hydraulic cylinder and pump. The Cross Puller can be used individually as a 'push' puller, or in conjunction with the Bearing Separator or Bearing Cup Puller.



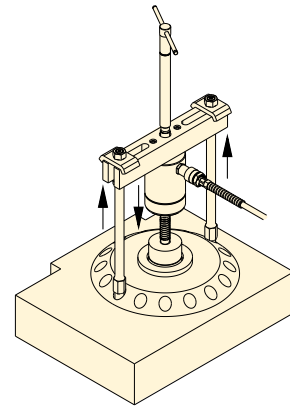
### Bearing-Cup Puller:

Specifically designed to pull cup style bearings and other applications requiring an internal style puller.

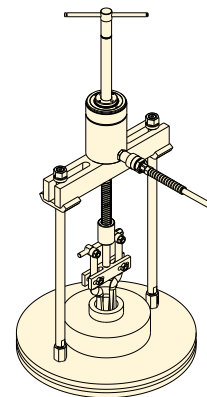


### Bearing Separator (used with Cross Bearing Puller):

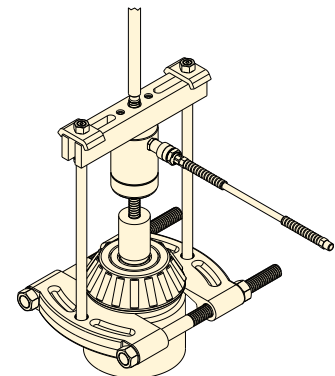
Features narrow edges, which enable puller to be placed behind hard to reach bearings, gears, etc., where limited clearance prevents the direct application of puller arms.



▲ Cross Bearing puller on application



▲ Cross Bearing Puller with Bearing Cup Puller on application



▲ Cross Bearing Puller with Bearing Separator on application

## ▼ DIMENSIONAL INFORMATION

Model Number	Cross Bearing Puller (mm)				(kg) *
	A	B min.	Thread Size C		
BHP112	280	115	5/8"-18 UNF		2,0
BHP172	280	115	5/8"-18 UNF		2,1
BHP272	370	140	5/8"-18 UNF		2,4
BHP672	615	220	1 1/4"-12 UNF		6,4

Model Number	Bearing Separator (mm)					(kg)
	A	B min.	B max.	Thread Size C		
BHP181	110	10	110	5/8"-18 UNF		2,8
BHP282	156	12	134	5/8"-18 UNF		5,7
BHP292	182	13	210	5/8"-18 UNF		12,5
BHP682	300	20	300	1 1/4"-12 UNF		43,5

Model Number	Bearing Cup Puller (mm)					(kg)
	A	B	C min.	C max.		
BHP180	135	236	40	145		2,0
BHP190	164	265	40	145		2,0
BHP280	164	265	40	145		2,4
BHP580	150	310	60	240		6,4

\* With slotted crosshead, cylinder and spindle.

# Hydraulic Lock-Grip Master Puller Sets

## ▼ LGHMS Master Puller Set with Hand Pump Option



## LGHMS Series

Puller Capacity:  
**10 - 64 ton**

Maximum Reach:  
**215 - 408 mm**

Maximum Spread:  
**300 - 660 mm**

Maximum Operating Pressure:  
**700 bar**



### Puller Dimensions

See dimensional information for LGH-pullers on page 165. For dimensions of BHP-puller attachments, see page 166.



### LGH-Series, Hydraulic Pullers

Hydraulic Pullers include puller and hydraulic cylinder.

### LGHMS-Series, Hydraulic Master Puller Sets

Hydraulic Master Pullers Sets include LGH-hydraulic puller, pump, gauge and HC7206C hydraulic hose. Choose pump options below.

- All LGHMS-Series Master Puller Sets include an LGH-Series Hydraulic Puller with 3 jaws, a Cross Puller, a Bearing Separator, a Bearing Cup Puller, a detachable Hollow Cylinder, a hose, a gauge and a pump
- Set options include hand, air, electric or battery-powered pump for an optimal solution to every application.



### WARNING!

Enerpac hydraulic pullers can be operated upto 700 bar. When using accessories, hydraulic pressure **MUST BE LIMITED** to maximum capacities below.

## ▼ SELECTION CHART

Hydraulic Puller Capacity	Hydraulic Master Puller Sets Model Numbers				Master Puller Sets include following components					
							Maximum Capacity Accessories	Cross Puller Model Nr.	Bearing Separator Model Nr.	Bearing Cup Puller Model Nr.
	Hand Pump P392 Gauge Ass'y GA45GC	Air Pump XA11G Integrated Gauge	Electric Pump PUD1300E* Gauge G2535L	Cordless Pump XC1201ME* Gauge Ass'y GA45GC	Hydraulic Hose Model Nr.		US-ton (kN)			
10 (92)	LGHMS310H	LGHMS310A	LGHMS310EE*	LGHMS310CE*	HC7206C	LGH310	7 (75)	BHP112	BHP181	BHP180
14 (125)	LGHMS314H	LGHMS314A	LGHMS314EE*	LGHMS314CE*	HC7206C	LGH314	7 (75)	BHP172	BHP282	BHP190
24 (215)	LGHMS324H	LGHMS324A	LGHMS324EE*	LGHMS324CE*	HC7206C	LGH324	12 (107)	BHP272	BHP292	BHP280
64 (576)	LGHMS364H	LGHMS364A	LGHMS364EE*	LGHMS364CE*	HC7206C	LGH364	25 (227)	BHP672	BHP682	BHP580

\* E = for 230V applications. For 115V applications change last suffix from E into B. Example: LGHMS310CB.