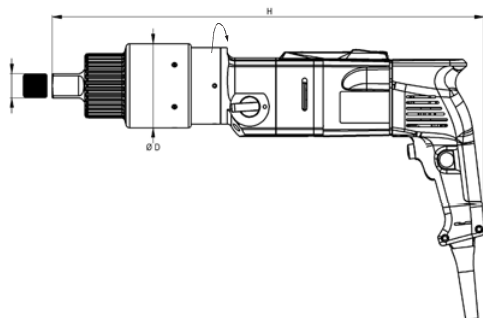
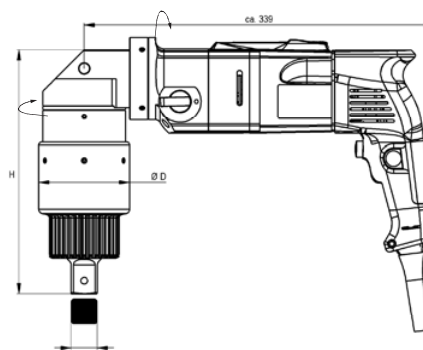


Technical data



LDE series – straight version



LEW series – angled version

LDE series - straight version

| Type | N·m min ^{*1} /max ^{*2} | lbf·ft min ^{*1} /max ^{*2} | ~ U/min | ■ | Ø D mm | H mm | kg ^{*3} |
|---------|---------------------------------------------|------------------------------------------------|---------|--------|-----------|---------|------------------|
| LDE-05 | 90 - 500 | 70 - 370 | 44 | 3/4" | 80 | 405 | 4.5 |
| LDE-075 | 100 - 750 | 80 - 550 | 22 | 3/4" | 80 | 439 | 5.0 |
| LDE-15 | 250 - 1500 | 180 - 1110 | 20 | 1" | 88 | 455 | 6.1 |
| LDE-28 | 350 - 2800 | 260 - 2050 | 6 | 1" | 88 | 495 | 7.3 |
| LDE-40 | 500 - 4000 | 370 - 2950 | 5 | 1" | 88 | 495 | 7.3 |
| LDE-60 | 700 - 6000 | 520 - 4400 | 3.5 | 1 1/2" | 102 | 515 | 9.2 |
| LDE-70 | 850 - 7500 | 630 - 5500 | 3 | 1 1/2" | 128 | 531 | 12.1 |
| LDE-90 | 1100 - 9000 | 810 - 6600 | 2.5 | 1 1/2" | 142 | 542 | 14.0 |
| LDE-120 | 1600 - 13 000 | 1180 - 9500 | 2 | 1 1/2" | 174.5 | 560 | 20.0 |

^{*1} Lowest torque in 2nd gear ^{*2} Maximum torque in 1st gear
Continuous sound pressure level corresponding to <78,7 dB (A)

^{*3} Without reaction arm

Vibration is less than 2.5 m/s²

Further torque ranges on request. All rights reserved. Subject to modifications without prior notice.

LEW series - angled version

| Type | N·m min ^{*1} /max ^{*2} | lbf·ft min ^{*1} /max ^{*2} | ~ U/min | ■ | Ø D mm | H mm | kg ^{*3} |
|---------|---------------------------------------------|------------------------------------------------|---------|--------|-----------|---------|------------------|
| LEW-05 | 90 - 500 | 70 - 370 | 44 | 3/4" | 80 | 187 | 5.8 |
| LEW-075 | 100 - 750 | 80 - 550 | 22 | 3/4" | 80 | 220 | 6.4 |
| LEW-15 | 250 - 1500 | 180 - 1110 | 20 | 1" | 88 | 236 | 7.3 |
| LEW-28 | 350 - 2800 | 260 - 2050 | 6 | 1" | 88 | 276 | 8.6 |
| LEW-40 | 500 - 4000 | 370 - 2950 | 5 | 1" | 88 | 276 | 8.6 |
| LEW-60 | 700 - 6000 | 520 - 4400 | 3.5 | 1 1/2" | 102 | 296 | 10.7 |
| LEW-70 | 850 - 7500 | 630 - 5500 | 3 | 1 1/2" | 128 | 311 | 12.9 |
| LEW-95 | 1100 - 9500 | 810 - 7000 | 2.5 | 1 1/2" | 142 | 323 | 14.6 |
| LEW-120 | 1600 - 13 000 | 1180 - 9500 | 2 | 1 1/2" | 174.5 | 340 | 20.6 |

^{*1} Lowest torque in 2nd gear ^{*2} Maximum torque in 1st gear
Continuous sound pressure level corresponding to <78,7 dB (A)

^{*3} Without reaction arm

Vibration is less than 2.5 m/s²

Further torque ranges on request. All rights reserved. Subject to modifications without prior notice.

