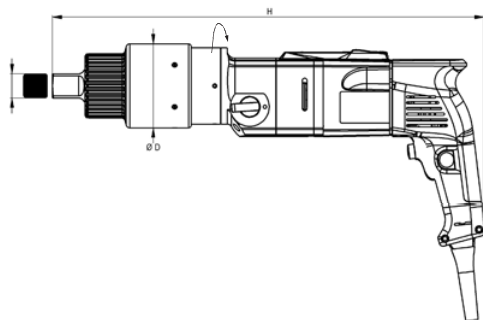
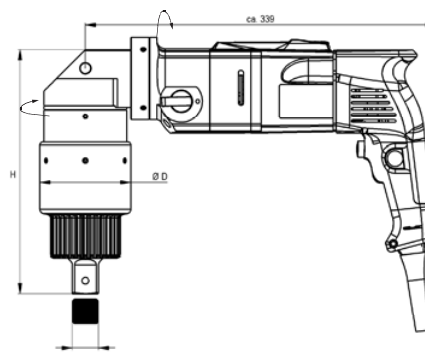


## Technical data



LDE series – straight version



LEW series – angled version



## LDE series - straight version

Type	N-m min <sup>*1</sup> /max <sup>*2</sup>	lbf-ft min <sup>*1</sup> /max <sup>*2</sup>	~ U/min	■	Ø D mm	H mm	kg <sup>*3</sup>
LDE-05	90 - 500	70 - 370	44	3/4"	80	405	4.5
LDE-075	100 - 750	80 - 550	22	3/4"	80	439	5.0
LDE-15	250 - 1500	180 - 1110	20	1"	88	455	6.1
LDE-28	350 - 2800	260 - 2050	6	1"	88	495	7.3
LDE-40	500 - 4000	370 - 2950	5	1"	88	495	7.3
LDE-60	700 - 6000	520 - 4400	3.5	1 1/2"	102	515	9.2
LDE-70	850 - 7500	630 - 5500	3	1 1/2"	128	531	12.1
LDE-90	1100 - 9000	810 - 6600	2.5	1 1/2"	142	542	14.0
LDE-120	1600 - 13 000	1180 - 9500	2	1 1/2"	174.5	560	20.0

<sup>\*1</sup> Lowest torque in 2nd gear    <sup>\*2</sup> Maximum torque in 1st gear  
Continuous sound pressure level corresponding to <78,7 dB (A)

<sup>\*3</sup> Without reaction arm    Vibration is less than 2.5 m/s<sup>2</sup>  
Further torque ranges on request. All rights reserved. Subject to modifications without prior notice.

## LEW series - angled version

Type	N-m min <sup>*1</sup> /max <sup>*2</sup>	lbf-ft min <sup>*1</sup> /max <sup>*2</sup>	~ U/min	■	Ø D mm	H mm	kg <sup>*3</sup>
LEW-05	90 - 500	70 - 370	44	3/4"	80	187	5.8
LEW-075	100 - 750	80 - 550	22	3/4"	80	220	6.4
LEW-15	250 - 1500	180 - 1110	20	1"	88	236	7.3
LEW-28	350 - 2800	260 - 2050	6	1"	88	276	8.6
LEW-40	500 - 4000	370 - 2950	5	1"	88	276	8.6
LEW-60	700 - 6000	520 - 4400	3.5	1 1/2"	102	296	10.7
LEW-70	850 - 7500	630 - 5500	3	1 1/2"	128	311	12.9
LEW-95	1100 - 9500	810 - 7000	2.5	1 1/2"	142	323	14.6
LEW-120	1600 - 13 000	1180 - 9500	2	1 1/2"	174.5	340	20.6

<sup>\*1</sup> Lowest torque in 2nd gear    <sup>\*2</sup> Maximum torque in 1st gear  
Continuous sound pressure level corresponding to <78,7 dB (A)

<sup>\*3</sup> Without reaction arm    Vibration is less than 2.5 m/s<sup>2</sup>  
Further torque ranges on request. All rights reserved. Subject to modifications without prior notice.