

▼ Shown from left to right: CLSG-506, CLSG-5006, CLSG-4006



- Integral stop ring provides piston blow-out protection
- Baked enamel outside finish and plated pistons provide superior corrosion protection
- Interchangeable, hardened grooved saddles are standard
- Base mounting holes are standard on all models
- Plunger wiper reduces contamination, extending cylinder life
- Single-acting, load return.

▼ Eight CLSG-2506 cylinders equipped with tilting saddles lifted the planking of the bridge as the pier heads were being rebuilt.



The Single-Acting Heavy Lifting Solution with Integral Stop Ring



Saddles

All CLSG-Series cylinders are equipped with bolt-on removable grooved saddles. For information on optional tilt saddles, see selection chart.

Page: **39**



Gauges

Minimize the risk of overloading and ensure long, dependable service from your equipment. Refer to the System Components Section for a full range of gauges.

Page: **114**



Optimum Performance

Enerpac's range of Z-Class electric pumps, fitted with manual or solenoid operated 3-way valves, offer optimum combinations with CLSG cylinders.

Page: **80**



Low Height - High Tonnage

When low height with high force is required, CLP-Series Pancake Cylinders with locknut offer the solution to lift the first few centimetres.

Page: **20**




Standard Features

- Interchangeable, hardened grooved saddles
- Top and side mounted lifting eye capability
- CR-400 coupler and dustcap
- All cylinders meet ASME B-30.1 and ISO 10100 standards.

Single-Acting, High Tonnage Cylinders

▼ QUICK SELECTION CHART

For complete technical information see next page.

Cylinder Capacity	Stroke	Model Number	Cylinder Effective Area	Oil Capacity	Collapsed Height	
ton (kN)	(mm)		(cm ²)	(cm ³)	(mm)	(kg)
50 (539)	50	CLSG-502	77,0	385	162	17
	100	CLSG-504	77,0	770	212	20
	150	CLSG-506	77,0	1155	262	23
	200	CLSG-508	77,0	1540	312	27
	250	CLSG-5010	77,0	1924	362	31
	300	CLSG-5012	77,0	2309	412	34
100 (929)	50	CLSG-1002	132,7	664	182	19
	100	CLSG-1004	132,7	1327	232	29
	150	CLSG-1006	132,7	1991	282	40
	200	CLSG-1008	132,7	2655	332	50
	250	CLSG-10010	132,7	3318	382	61
	300	CLSG-10012	132,7	3982	432	71
150 (1390)	50	CLSG-1502	198,6	993	196	39
	100	CLSG-1504	198,6	1986	246	52
	150	CLSG-1506	198,6	2978	296	65
	200	CLSG-1508	198,6	3971	346	78
	250	CLSG-15010	198,6	4964	396	92
	300	CLSG-15012	198,6	5957	446	105
200 (1861)	50	CLSG-2002	265,9	1330	216	55
	150	CLSG-2006	265,9	3989	316	91
	300	CLSG-20012	265,9	7977	466	146
250 (2565)	50	CLSG-2502	366,4	1832	235	102
	150	CLSG-2506	366,4	5497	335	136
	300	CLSG-25012	366,4	10993	485	207
300 (3193)	50	CLSG-3002	456,2	2281	312	184
	150	CLSG-3006	456,2	6843	412	232
	300	CLSG-30012	456,2	13685	562	303
400 (3919)	50	CLSG-4002	559,9	2800	375	270
	150	CLSG-4006	559,9	8399	475	330
	300	CLSG-40012	559,9	16797	625	421
500 (5114)	50	CLSG-5002	730,6	3653	419	401
	150	CLSG-5006	730,6	10959	519	480
	300	CLSG-50012	730,6	21918	669	599
600 (5987)	50	CLSG-6002	855,3	4276	429	474
	150	CLSG-6006	855,3	12829	529	565
	300	CLSG-60012	855,3	25659	679	701
800 (8234)	50	CLSG-8002	1176,3	5881	474	741
	150	CLSG-8006	1176,3	17644	574	880
	300	CLSG-80012	1176,3	35288	724	1058
1000 (10260)	50	CLSG-10002	1465,7	7329	564	1062
	150	CLSG-10006	1465,7	21986	664	1213
	300	CLSG-100012	1465,7	43972	814	1439

CLSG Series



Capacity:

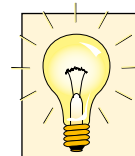
50 - 1000 ton

Stroke:

50 - 300 mm

Maximum Operating Pressure:

700 bar



Higher Capacities

1500 and 2000 ton models available on request.

Additional Stroke Lengths

Models above 150 ton are also available with standard stroke lengths of 100, 200 and 250 mm. Please contact Enerpac for ordering information.



Lifting an Unbalanced Load?

When lifting an unbalanced load the **EVO-Series Enerpac Integrated Lifting**

Systems can be the solution with multiple lift point capabilities from 4 to 48 points. See our "Yellow Pages" for multi-cylinder set-ups.

Page: **250**



Optional features

To add optional features to your cylinders, add the following suffix to the end of the model number.

Collar thread *

E002

* On 400 ton models and higher.

Example:

- For CLSG-5006 cylinder with collar thread, order: **CLSG-5006E002**

Technical specifications for these features are available from Enerpac.

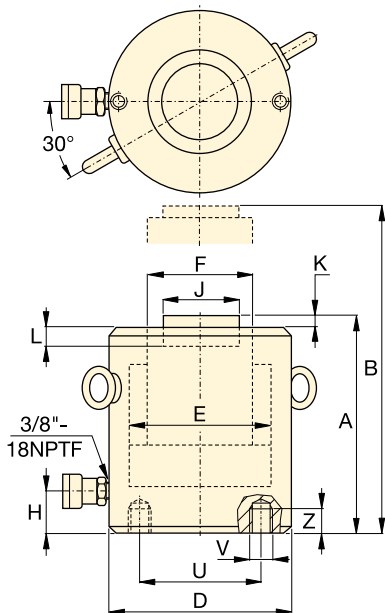
CLSG-Series, High Tonnage Cylinders



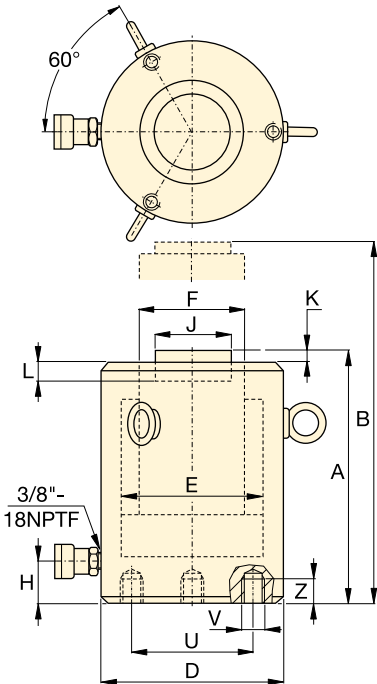
Mounting Hole Orientation

Top mounting hole orientation is maintained to port location. Base mounting hole orientation is not maintained to port location.

◀ For full features see previous page.



CLSG-502 - CLSG-15012



CLSG-2002 - CLSG-100012

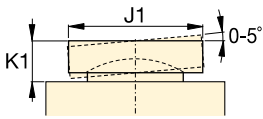
Cylinder Capacity ton (kN)	Stroke (mm)	Model Number	Cylinder Effective Area (cm ²)	Oil Capacity (cm ³)
50 (539)	50	CLSG-502	77,0	385
	100	CLSG-504	77,0	770
	150	CLSG-506	77,0	1155
	200	CLSG-508	77,0	1540
	250	CLSG-5010	77,0	1924
	300	CLSG-5012	77,0	2309
100 (929)	50	CLSG-1002	132,7	664
	100	CLSG-1004	132,7	1327
	150	CLSG-1006	132,7	1991
	200	CLSG-1008	132,7	2655
	250	CLSG-10010	132,7	3318
	300	CLSG-10012	132,7	3982
150 (1390)	50	CLSG-1502	198,6	993
	100	CLSG-1504	198,6	1986
	150	CLSG-1506	198,6	2978
	200	CLSG-1508	198,6	3971
	250	CLSG-15010	198,6	4964
	300	CLSG-15012	198,6	5957
200 (1861)	50	CLSG-2002	265,9	1330
	150	CLSG-2006	265,9	3989
	300	CLSG-20012	265,9	7977
250 (2565)	50	CLSG-2502	366,4	1832
	150	CLSG-2506	366,4	5497
	300	CLSG-25012	366,4	10993
300 (3193)	50	CLSG-3002	456,2	2281
	150	CLSG-3006	456,2	6843
	300	CLSG-30012	456,2	13685
400 (3919)	50	CLSG-4002	559,9	2800
	150	CLSG-4006	559,9	8399
	300	CLSG-40012	559,9	16797
500 (5114)	50	CLSG-5002	730,6	3653
	150	CLSG-5006	730,6	10959
	300	CLSG-50012	730,6	21918
600 (5987)	50	CLSG-6002	855,3	4276
	150	CLSG-6006	855,3	12829
	300	CLSG-60012	855,3	25659
800 (8234)	50	CLSG-8002	1176,3	5881
	150	CLSG-8006	1176,3	17644
	300	CLSG-80012	1176,3	35288
1000 (10260)	50	CLSG-10002	1465,7	7329
	150	CLSG-10006	1465,7	21986
	300	CLSG-100012	1465,7	43972

Base Mounting Hole ¹⁾ Dimensions (mm)			
Model / Capacity ton	Bolt Circle U	Thread Size V	Min. Thread Depth Z
CLSG-50	65	2x M12	22
CLSG-100	95	2x M12	22
CLSG-150	130	2x M12	22
CLSG-200	165	3x M12	22
CLSG-250	190	3x M12	22
CLSG-300	180	3x M16	30
CLSG-400	205	3x M16	30
CLSG-500	250	3x M24	36
CLSG-600	275	3x M24	36
CLSG-800	330	3x M24	36
CLSG-1000	375	3x M24	36

¹⁾ Base mounting holes are random positioned in regard to coupler position.

Single-Acting, High Tonnage Cylinders

Optional Tilt Saddle *



Capacity:
50 - 1000 ton

Stroke:
50 - 300 mm

Maximum Operating Pressure:
700 bar

CLSG Series



Collapsed Height A (mm)	Extended Height B (mm)	Outside Dia. D (mm)	Cylinder Bore Dia. E (mm)	Plunger Dia. F (mm)	Base to Adv. Port H (mm)	Standard Saddle Dia. J (mm)	Saddle Protr. from Plgr. K (mm)	Depth of Plunger Hole L (mm)	Weight (kg)	Model Number	* Optional Tilt Saddle		
											Saddle Dia. J1 (mm)	Saddle Height K1 (mm)	Saddle Model Number
162	212	130	99,0	70,0	52	50	1	19	17	CLSG-502	50	24	CATG-50
212	312	130	99,0	70,0	52	50	1	19	20	CLSG-504	50	24	CATG-50
262	412	130	99,0	70,0	52	50	1	19	23	CLSG-506	50	24	CATG-50
312	512	130	99,0	70,0	52	50	1	19	27	CLSG-508	50	24	CATG-50
362	612	130	99,0	70,0	52	50	1	19	31	CLSG-5010	50	24	CATG-50
412	712	130	99,0	70,0	52	50	1	19	34	CLSG-5012	50	24	CATG-50
182	232	165	130,0	95,0	54	75	1	19	19	CLSG-1002	73	29	CATG-100
232	332	165	130,0	95,0	54	75	1	19	29	CLSG-1004	73	29	CATG-100
282	432	165	130,0	95,0	54	75	1	19	40	CLSG-1006	73	29	CATG-100
332	532	165	130,0	95,0	54	75	1	19	50	CLSG-1008	73	29	CATG-100
382	632	165	130,0	95,0	54	75	1	19	61	CLSG-10010	73	29	CATG-100
432	732	165	130,0	95,0	54	75	1	19	71	CLSG-10012	73	29	CATG-100
196	246	205	159,0	114,0	61	94	1	19	39	CLSG-1502	91	31	CATG-150
246	346	205	159,0	114,0	61	94	1	19	52	CLSG-1504	91	31	CATG-150
296	446	205	159,0	114,0	61	94	1	19	65	CLSG-1506	91	31	CATG-150
346	546	205	159,0	114,0	61	94	1	19	78	CLSG-1508	91	31	CATG-150
396	646	205	159,0	114,0	61	94	1	19	92	CLSG-15010	91	31	CATG-150
446	746	205	159,0	114,0	61	94	1	19	105	CLSG-15012	91	31	CATG-150
216	266	235	184,0	133,0	67	113	1	24	55	CLSG-2002	118	35	CATG-200
316	466	235	184,0	133,0	67	113	1	24	91	CLSG-2006	118	35	CATG-200
466	766	235	184,0	133,0	67	113	1	24	146	CLSG-20012	118	35	CATG-200
235	285	275	216,0	165,0	73	145	1	24	102	CLSG-2502	144	46	CATG-250
335	485	275	216,0	165,0	73	145	1	24	136	CLSG-2506	144	46	CATG-250
485	785	275	216,0	165,0	73	145	1	24	207	CLSG-25012	144	46	CATG-250
312	362	310	241,0	197,0	101	177	1	19	184	CLSG-3002	160	62	CATG-300
412	562	310	241,0	197,0	101	177	1	19	232	CLSG-3006	160	62	CATG-300
562	862	310	241,0	197,0	101	177	1	19	303	CLSG-30012	160	62	CATG-300
375	425	350	267,0	216,0	114	196	3	27	270	CLSG-4002	193	51	CATG-400
475	625	350	267,0	216,0	114	196	3	27	330	CLSG-4006	193	51	CATG-400
625	925	350	267,0	216,0	114	196	3	27	421	CLSG-40012	193	51	CATG-400
419	469	400	305,0	248,0	114	228	3	27	401	CLSG-5002	228	63	CATG-500
519	669	400	305,0	248,0	114	228	3	27	480	CLSG-5006	228	63	CATG-500
669	969	400	305,0	248,0	114	228	3	27	599	CLSG-50012	228	63	CATG-500
429	479	430	330,0	267,0	114	247	3	27	474	CLSG-6002	241	76	CATG-600
529	679	430	330,0	267,0	114	247	3	27	565	CLSG-6006	241	76	CATG-600
679	979	430	330,0	267,0	114	247	3	27	701	CLSG-60012	241	76	CATG-600
474	524	505	387,0	317,0	149	297	3	27	741	CLSG-8002	287	75	CATG-800
574	724	505	387,0	317,0	149	297	3	27	880	CLSG-8006	287	75	CATG-800
724	1024	505	387,0	317,0	149	297	3	27	1058	CLSG-80012	287	75	CATG-800
564	614	560	432,0	343,0	174	323	3	27	1062	CLSG-10002	311	93	CATG-1000
664	814	560	432,0	343,0	174	323	3	27	1213	CLSG-10006	311	93	CATG-1000
814	1114	560	432,0	343,0	174	323	3	27	1439	CLSG-100012	311	93	CATG-1000