

SL, SBL-SERIES TELESCOPIC HYDRAULIC GANTRIES

THE ULTIMATE IN SAFETY AND CONTROL



ENERPAC 

▼ The Enerpac SL and SBL-Series Telescopic Hydraulic Gantries



Precision Lift and Position of Heavy Loads

The Ultimate in
Safety and Control

Why Choose Enerpac's Telescopic Hydraulic Gantries?

Highest Quality

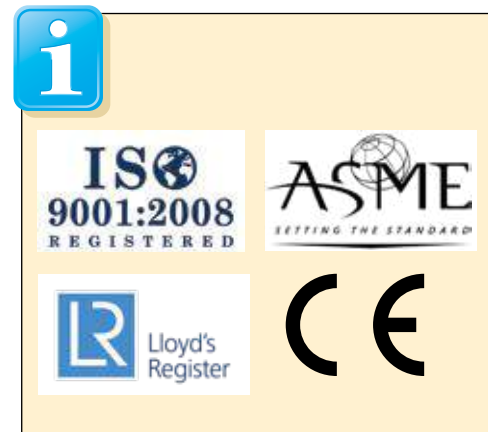
- Enerpac adheres to the highest quality standards and maintains rigid QA manufacturing processes
- Lloyd's witness tested to 125% of maximum working load

Best Support

- Product training is available at our place or yours, to insure operators are fully trained prior to using the equipment
- Our global staff is available to help anywhere the equipment may be in operation

Proven Safety

- All Enerpac gantries comply to ASME B30.1 and other Safety Standards
- Advance technology and controls alert operator of unsafe conditions and stops gantry operations.



Telescopic Hydraulic Gantries



Hydraulic Gantries

Hydraulic Gantries are a safe, efficient way to lift and position heavy loads in applications where traditional cranes will not fit and permanent overhead structures are not an option.

Hydraulic Gantries are placed on skid tracks to provide a means for moving and placing heavy loads, many times with only one pick.

Enerpac offers two series of Hydraulic Gantry systems:

- The cost-effective **SL-Series Super Lift** with best-in-class control and comparable capacity utilizing telescopic cylinders offered in 2 or 3 stages

- The heavy-duty **SBL-Series Super Boom Lift** with capacities up to 10.484 kN and 3-stage lifting capability through the boom structure

All Enerpac gantries are delivered with specific properties and control systems to ensure optimum stability and safety.

Standard Features

- Self-contained hydraulics
- Wireless Intellilift controls
- Synchronous lifting and lowering
- Self-propelled wheels or tank rollers with synchronized travel.

SL SBL Series



Capacity (with 4 legs):

1000 - 10.484 kN

Lifting Height:

4,75 - 12,0 meters



Intellilift

The Intellilift wireless control system is included with all Enerpac hydraulic gantries. The Intellilift controller offers superior safety and control and includes the following features:

control and includes the following features:

- Encrypted bi-directional communication that eliminates interference from other devices
- Remote operation using multi-channel wireless (2.4 GHz) or wired (RS-485) control
- High and low speed settings
- Automatic synchronization of lifting with an accuracy of 25,4 mm (1.0 inch)
- Automatic synchronization of travelling with an accuracy of 15 mm (0.60 inch).
- Overload and stroke alarms
- Remote side-shift control
- Emergency stop switch.

1	Gantry Leg	Required
2	Skid Track	Required
3	Side Shift	Optional
4	Header Beam	Required
5	Lifting Anchor *	Optional
6	Intelli-Lift Controller	Included

* In the illustration the Side Shifts are shown. However, some loads can be lifted with Lifting Anchors. For this reason a Lifting Anchor is shown.



SL-Series, Hydraulic Gantries



▼ Typical SL400 configuration with Skid Tracks, Header Beams and Side-Shifts



- Built-in load holding valves to prevent drifting
- Double-acting cylinders with internal retract porting eliminate hazards to external plumbing
- SL100, SL200, SL300 and SL400N are provided with a hand crank to easily switch to free wheel mode
- SL400 utilizes same accessories as SBL-Series.



◀ SL-400 Gantry during load testing.

SL Series

Capacity with 4 legs:

1000 - 4000 kN

Lift Height:

4,75 - 9,14 meters



Skid Tracks

Skid tracks used for leveling and load distribution to reduce ground bearing pressure. Available in two standard lengths, 3 m and 6 m.

Page:

6



Header Beams

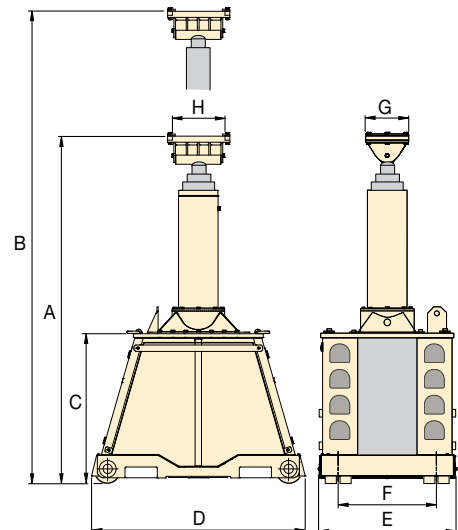
Sold in pairs and includes lifting points and fork pockets for easy positioning on gantry towers.

Available in standard lengths of

8, 10 and 12 meters. Custom lengths available on request.

Page:

6



Maximum Capacity (4 legs) (kN)	Model Number (4 legs)	Retracted Height A (mm)	Stage 1		Stage 2		Stage 3		Base Height C (mm)	Base Length D (mm)	Base Width E (mm)	Track Gauge F (mm)	Beam Plate Length G (mm)	Beam Plate Width H (mm)	Weight per leg (with oil) (kg)
			Max. Height B (mm)	Max. Capacity (kN)	Max. Height B (mm)	Max. Capacity (kN)	Max. Height B (mm)	Max. Capacity (kN)							
1000	SL100	2050	3400	250	4750	150	-	-	1550	1400	880	610	350	580	1735
2000	SL200	2731	4716	500	6700	340	-	-	1550	1400	880	610	350	580	2200
3000	SL300	2715	4615	750	6710	500	-	-	1900	1700	880	610	400	580	3250
4000	SL400	3166	5224	1000	7232	1000	9140	460	1378	2023	1289	914	400	580	4600
4000	SL400N	2725	4365	1000	6025	750	7700	500	1900	1700	880	610	400	580	3600

SBL-Series, Hydraulic Gantries

▼ SBL1100 with Skid Tracks, Header Beams and Side-Shifts



- Octagonal boom: provides added strength for increased capacity and lifting height
- SBL500 has fixed boom and steel wheels
- SBL1100 and SBL900 have
 - foldable boom to enable easy transport and setup
 - tank rollers to provide optimum load distribution.



◀ Two SBL1100 gantry systems lifted the 1300 ton hydrocracker off the barge onto a SPMT Self-Propelled Modular Transporter.

SBL Series

Capacity with 4 legs:

5000 - 10.484 kN

Lift Height:

8,6 - 12,0 meters



Powered Side Shift

Electric propulsion controlled by standard gantry controls. Each set consists of 4 units.

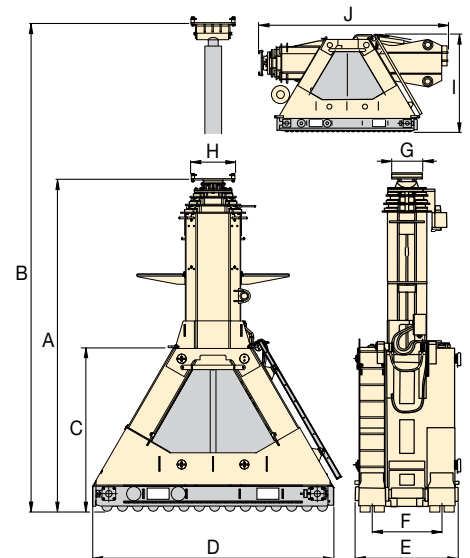
Page: 7



Lifting Anchors

Designed to transfer the load to the top of the header beam. Can accommodate a 250 ton shackle or attach directly to the lifted load.

Page: 8



Maximum Capacity (4 legs) kN	Model Number (4 legs)	Retracted Height A (mm)	Stage 1		Stage 2		Stage 3		Base Height C (mm)	Base Length D (mm)	Base Width E (mm)	Track Gauge F (mm)	Beam Plate Length G (mm)	Beam Plate Width H (mm)	Weight per leg (with oil) (kg)
			Max. Height B (mm)	Max. Capacity (kN)	Max. Height B (mm)	Max. Capacity (kN)	Max. Height B (mm)	Max. Capacity (kN)							
5000	SBL500	3038	4998	1300	6908	1300	8618	750	1378	2023	1256	914	400	490	6880
8976	SBL900	5006	8304	2244	11.304	1481	–	–	2129	3454	1408	914	400	490	13.350
10.484	SBL1100	4370	7004	2621	9668	1689	12.002	945	2129	3454	1408	914	400	490	11.950

Transport dimensions: SBL900 Height I = 2258 mm, Overall Length J = 4317 mm
SBL1100 Height I = 2258 mm, Overall Length J = 4317 mm

▼ Skid Tracks



SKID TRACKS

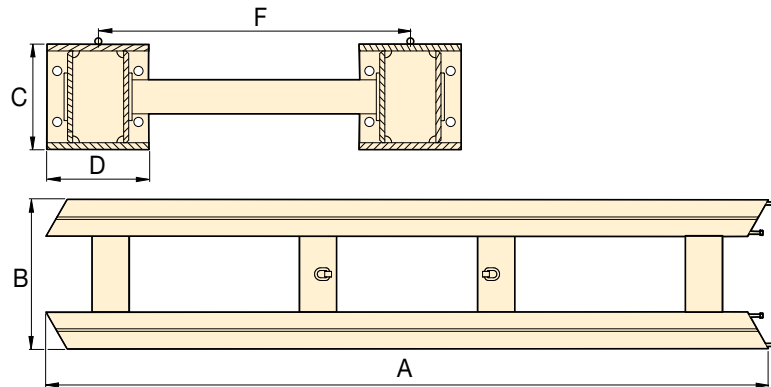
Allows for easy leveling of the gantry leg, available in two standard lengths.

- Required to support and level gantry
- Smoother travel, better load distribution
- Includes lifting eyes and/or fork pockets.



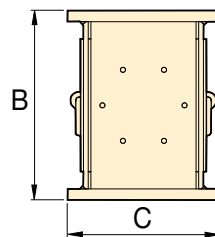
Skid Track End-Stop

Safety device prevents over-travel.
Order model Number: **TES**

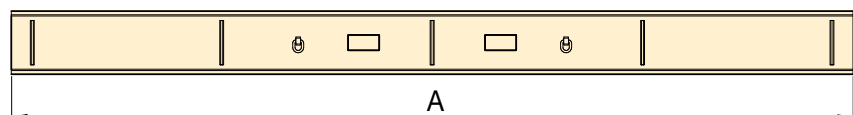


Used with Gantry Series	Model Number	Track Length	Track Width	Track Height	Track Base	Track Gauge	
		A (meters)	B (mm)	C (mm)	D (mm)	F (mm)	
SL100	GST100-3	3,0	810	200	200	610	420
	GST100-6	5,9	810	200	200	610	850
SL200, 300, SL400N	GST400-3	3,0	830	280	220	610	705
	GST400-6	5,9	830	280	220	610	1370
SL400	GST1100-3	3,0	1214	310	300	914	1040
	GST1100-6	5,9	1214	310	300	914	2030

▼ Header Beam



This drawing represents HBB beams, HBH beams are H-beams.



HEADER BEAMS

Sold in pairs and includes lifting points and/or fork pockets for easy positioning on gantry legs.

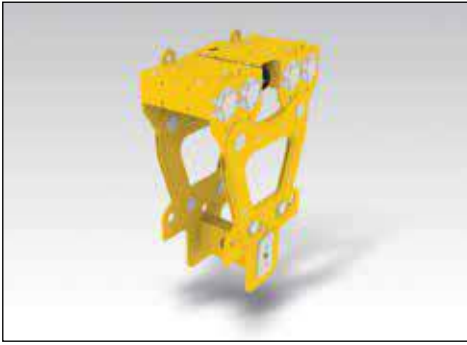
- Supplied with load chart
- Includes lifting eyes and/or fork pockets
- All gantries are designed to accept either HBH- or HBB-Series beams.

Maximum Load at Beam Center *	Model Number	Beam Length ¹⁾	Beam Depth	Beam Width	
		A (meters)	B (mm)	C (mm)	
625	HBH6	6,0	432	307	1603
685	HBH8	8,0	572	306	2365
1010	HBB8	8,0	600	480	3300
800	HBB10	10,0	600	480	4100
1320	HBB12	11,95	950	480	6468

* Based on single point in center of beam. Consult Enerpac for load chart showing capacity off center per lifting anchor.

Additional Gantry Accessories

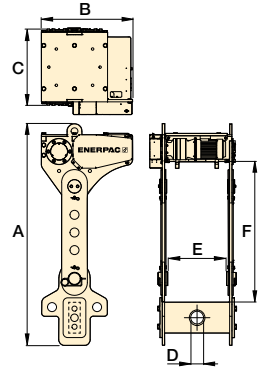
▼ Powered Side-Shift



POWERED SIDE-SHIFT

Electric propulsion controlled by standard gantry controls.

- Used to shift load along header beam
- Each anchor contains an electric drive
- Utilizes existing gantry wireless control
- Set of four includes sturdy transport frame.



Used with Header Beam	Model Number ¹⁾	Capacity per Side Shift (kN)	Motor Power (kW)	Travel Speed (cm/min)	Side Shift Height ²⁾ A (mm)	Side Shift Width B (mm)	Side Shift Depth C (mm)	Pin Hole Diameter D (mm)	Internal Width E (mm)	Internal Height F (mm)	Weight per Side Shift Unit (kg)
HBH	SSU150	375	0,75	50	1200	590	665	75	325	695	350
HBB	SSU300	750	0,75	90	1944	796	749	110	490	1235	814
HBB	SSU600	1500	0,75	90	1928	1400	749	145	490	1186	1500

¹⁾ Each model number includes 4x propelled unit and cable guides.

²⁾ Custom heights available on request.

▼ Top Swivel Kit

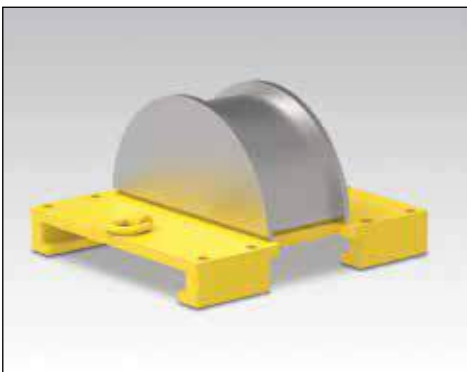


TOP SWIVEL KITS

- Mounts to top of SSU series side shift units
- Provides mounting for additional header beam
- Swivel head makes installation simple.

Used with Powered Side-Shift Model	Top Swivel Kits Model Number (includes 4 units)	Capacity per Top Swivel Unit (kN)	Capacity with 4x Units (kN)	Weight per Top Swivel Unit (kg)
SSU150	TSK150	375	1500	95
SSU300	TSK300	750	3000	230
SSU600	TSK600	1500	6000	705

▼ Sling Guide



SLING GUIDES

- Rounded surface to protect slings from external damage
- Bolts to header beam for secure mounting.

Used with	Model Number (includes 4 units)	Sling Guide mounts to top of	Capacity per Unit (kN)	Weight per Unit (kg)
HBH-Series	HBHSG	Header Beam	500	98
HBB-Series	HBBSG	Header Beam	2500	165
SSU150-Series	SSG150	Side-Shift Unit	375	23
SSU300-Series	SSG300	Side-Shift Unit	750	75
SSU600-Series	SSG600	Side-Shift Unit	1500	77

▼ Control Panel and Cable Reels for SSU-Series Side-Shifts (controls side-shift unit separate from gantry controls)

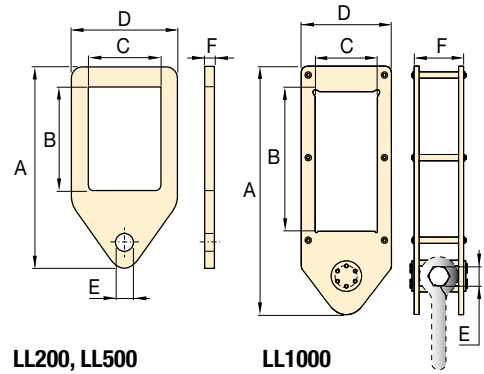
Description (for use with SSU-Series Powered Side-Shifts)	Model Number	Cable Length (m)	Set	Weight per Unit (kg)
Control Panel, 380-400 VAC, 50 Hz	SSPW	25	—	175
Control Panel, 460-480 VAC, 60 Hz	SSPJ	25	—	175
Side-Shift Cable Reels	SSCR-1	20	4	50

▼ Lifting Anchor



LIFTING ANCHORS

- Transfer load to the top of the header beam
- Used to attach rigging to header beam
- Manually spaced to desired location.



LL200, LL500

LL1000

Used with Header Beam	Model Number	Capacity per Anchor (kN)	Anchor Height (mm) A	Beam Hole Depth (mm) B	Beam Hole Width (mm) C	Anchor Width (mm) D	Pin Hole Diameter (mm) E	Anchor Depth (mm) F	Weight (kg)
HBH	LL200	500	925	582	320	420	75	30	40
HBB	LL500	1250	1955	1100	490	710	205	40	220
HBB	LL1000 *	2500	1955	1100	490	710	130	428	600

* LL1000 is built with two LL500 plates connected together and designed to use heavy-duty shackle (not included)

▼ Slings



SLINGS

- Lightweight and flexible
- Safe and easy to handle
- Reduces wear on painted surfaces
- Durable construction
- Heat-resistant and non-conductive
- Available with added HMPE wear protection where needed.

▼ Slings (endless grommet)

Capacity (kN)	Length (metres)	Sling Model Number
180	2	EGS18-2
	4	EGS18-4
	6	EGS18-6
390	2	EGS39-2
	4	EGS39-4
	6	EGS39-6
1120	6	EGS112-6
	8	EGS112-8
	10	EGS112-10
2510	6	EGS251-6
	8	EGS251-8
	10	EGS251-10

▼ Shackles



SHACKLES

- Green Pin® Brand Shackles
- Standard bow shackle with safety pin
- Other styles available upon request.

▼ Shackles

Capacity (kN)	Shackle Model Number
170	GPS17
350	GPS35
1500	GPS150
2500	GPS250

Additional Gantry Accessories



For
SL
SBL
Series



▼ Azobe Wood Track Timbers



▼ Timbers and Steel Plate Accessories

Used with Gantry	Model Number	Material	Dimensions (mm)			Description
			L	W	H	
All Gantry Series	STAWTF	Transport Frame for Azobe Timbers	1540	1040	1365	Frame for 100 pieces
	STAW100	Azobe Wood Track Timbers	1500	100	100	Includes 100 pieces
	STSP500	Steel Shimming Plates	300	300	1,0	Includes 500 plates

▼ Power Distribution Box

Includes one 63A inlet with mating connector and two 32A outlets.

Used with Gantry	Power Distribution Box Model Number	Description
All SL and SBL-Series	PDB32W	380-400 VAC, 50 Hz
	PDB32J	460-480 VAC, 60 Hz

▼ Tarpaulin Covers



▼ Tarpaulin Covers for storage.

Not designed for open road transport.

Used with Gantry	Tarpaulin Cover Model Number	Description
SL100	TCSL100	Protects gantry from indoor and outdoor elements during storage
SL200	TCSL200	
SL300	TCSL300	
SL400N	TCSL400N	
SL400	TCSL400	
SBL500	TCSBL500	
SBL900	TCSBL900	
SBL1100	TCSBL1100	



Transformer Installation with a Hydraulic Gantry



Hydraulic Boom Gantry Safely Transports 120 Ton Machine Bed



Removal of Decommissioned London Tube Trains with a Hydraulic Gantry



Transporting a 1200 Ton Hydraulic Press to the Second Floor with a Hydraulic Gantry



Turbine Lift and Load-in at Shipping Port



Turbine and Generator Installation at a new Power Plant in Libya



Assembling an Offshore Platform Oil Rig Module



Offloading a 1300 Ton Hydrocracker



Generator Installation at the Owen Springs Power Station

Enerpac's Custom Heavy Lifting Solutions

EXPERIENCE and EXPERTISE

With more than 60 years of experience, Enerpac has gained unique expertise in delivering hydraulic solutions for the controlled movement and positioning of heavy loads. This expertise has been acknowledged by the world's leading industrial professionals and has contributed to the successful movement of a number of the most recognizable structures on earth.

In addition to providing the most comprehensive line of globally-supplied, locally supported products, Enerpac combines hydraulics, steel fabrication and electronic control with engineering and application knowledge, to design and manufacture solutions that ensure your projects are completed safely and efficiently.



STEEL FABRICATION

In our dedicated facility for steel fabrication and welding, we design and manufacture custom structures used in demanding heavy-lifting applications.



HYDRAULIC POWER UNITS

Enerpac designs, assembles and tests small to large hydraulic power units in-house. Power units range from 0,5 to 240 kW and are tested with the system they are intended to operate.



ELECTRONICS

Enerpac designs all control systems in-house. This capability keeps control technology close to the design engineers who are developing the rest of the system. In doing so, we can tailor the control system to match unique project requirements.



MACHINING

Enerpac utilizes the latest in CNC machining technologies and manufactures all large and special hydraulic cylinders in-house. We can machine diameters up to 1270 mm with lengths to 6 metres.



ENGINEERING

Enerpac's multi-disciplined, Heavy Lifting Technology team is capable of the design and development of all aspects of an integrated system. Leveraging design and application experience with the latest in methodologies, computer design, rapid prototyping and analysis ensures delivery of the highest quality.



FIELD SUPPORT

Enerpac's Heavy Lifting Technology team is available to provide on-site support including training and troubleshooting of systems. Enerpac also stocks repair parts and consumable items at several locations to ensure fast delivery for minimal downtime.



MAINTENANCE and REPAIR

Due to the unique nature of Enerpac's Heavy Lifting Technology systems, we offer complete maintenance and repair services. Our M&R group is available to assist customers who do not have access to local service facilities qualified to work on these systems.



LIFTING SYSTEMS

We design and manufacture heavy lifting equipment. For more than 60 years, we've combined high pressure hydraulics and controls to deliver intelligent and innovative solutions that maintain the highest level of quality, reliability and safety. We will be your supplier and partner; we will support you throughout the entire life of your project, your success is ours.

Heavy Lifting Technology



SFP-Series,
Split-Flow Pumps



EVOB-Series, Basic
Synchronous Lifting Systems



EVO-Series, Standard
Synchronous Lifting Systems



SCJ-Series,
Self-Locking Cube Jacks



JS-Series
Jack-Up Systems



SL, SBL, MBL-Series,
Telescopic Hydraulic Gantries



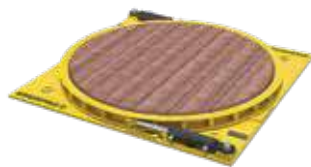
HSL-Series,
Strand Jack Systems



SHS, SHAS-Series,
Synchronous Hoisting Systems



LH, HSK-Series
Skidding Systems



ETT-Series, Turntables



ETR-Series, Trolley Systems



SPMT-Series, Self-Propelled
Modular Trailers