

LGH-Series, Hydraulic Lock-Grip Pullers



LGH-Series Pullers provide the same safety and ease of use as their mechanical counterparts, with the pulling force applied by a standard 10,150 psi hydraulic cylinder. LGH-Series Pullers can apply up to 64 tons of force and are perfect for removing larger shaft-mounted objects up to 26 inches in diameter.

Turning the puller handle locks the jaws onto the application, allowing the desired object to be pulled free when the spindle is turned.

LGH Series



Puller Capacity:

10-64 tons

Maximum Reach:

8.46-16.06 inches

Maximum Spread:

11.81-25.98 inches

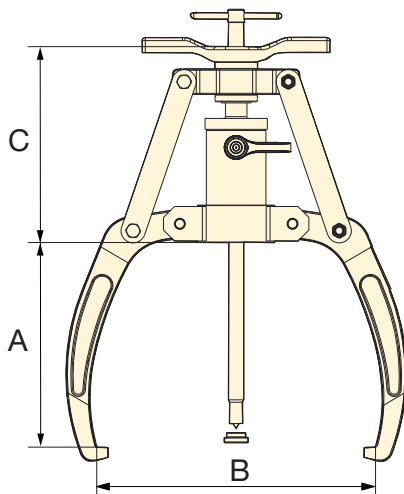
Maximum Operating Pressure:

10,150 psi



IMPORTANT!

Always wear safety goggles and gloves while using pullers.



Model Numbers Without a Cylinder

To order a puller without cylinder, add "NC" after "LGH".

Example: LGHNC210



Sets Include:^{1) 2)}



¹⁾ Choose pump options below.

²⁾ All sets include hose model number HC7206C.

▼ DIMENSIONAL DATA

Puller Model No.*	Dimensions (in)				No. of Jaws	Puller Cap.	Wt.	Replacement Point Protector Item Number	Hydraulic Puller Sets ^{1) 2)}				
	Max. Reach	Min. Spread Dia.	Max. Spread Dia.										
	A	B	B	C					(ton)	(lbs)			
LGH210	8.46	3.31	11.81	7.56	2	10	22.66	SGM0704					
LGH310	8.46	3.31	11.81	7.56	3	10	27.94	SGM0704	LGHS310H	LGHS310A	LGHS310E	LGHS310C	
LGH214	10.24	4.92	14.96	7.32	2	14	31.24	LGH14K6	—	—	—	—	
LGH314	10.24	4.92	14.96	7.32	3	14	40.04	LGH14K6	LGHS314H	LGHS314A	LGHS314E	LGHS314C	
LGH224	13.23	6.50	18.90	12.80	2	24	82.28	LGH24K6	—	—	—	—	
LGH324	13.23	6.50	18.90	12.80	3	24	104.06	LGH24K6	LGHS324H	LGHS324A	LGHS324E	LGHS324C	
LGH253	16.06	9.06	25.98	18.62	2	53	243.76	LGH253K6	—	—	—	—	
LGH364	16.06	9.06	25.98	18.62	3	64	306.90	LGH253K6	LGHS364H	LGHS364A	LGHS364E	LGHS364C	

*Standard models include cylinder. To receive puller without cylinder add "NC" after LGH (Example: LGHNC210).

For 115 V application add "B" suffix
For 230 V application add "E" suffix