

▼ Shown: ZA4204TX-QR



Z Tough.
Dependable.
Innovative.
CLASS

- Two-speed operation and high by-pass pressure reduces cycle time for improved productivity
- Glycerin filled pressure gauge with transparent overlays in Ft.lbs and Nm for Enerpac torque wrenches provide a quick torque reference
- Regulator-Filter-Lubricator with removable bowls and auto drain is standard
- Ergonomic pendant allows remote operation up to 20 feet
- Valve technology reduces oil operating temperatures and withstands contaminants to increase pump reliability



Twin Torque Wrench Hoses

Use Enerpac **THQ-700** series twin hoses with 10,000-psi pumps, or use **THC-700** series twin hoses with 11,600 psi pumps.

10,000 psi	
19.5 feet long, 2 hoses	THQ-706T
39 feet long, 2 hoses	THQ-712T
11,600 psi	
19.5 feet long, 2 hoses	THC-7062
39 feet long, 2 hoses	THC-7122



Gauge Overlay Kit

Gauge overlay kits are also available separately.

GT-4015-Q includes overlays for all S- and W-Series torque wrenches.

W-Series torque wrenches.

GT-4015 includes overlays for all SQD and HXD torque wrenches.



◀ Most hydraulic torque wrenches can be powered by the Enerpac ZA4-Series torque wrench pump.

ZA4T Air Driven Torque Wrench Pumps



ZA4-Series Pump Applications

The ZA4-Series pump is best suited to power medium to large size torque wrenches.

Patent-pending *Z-Class* technology provides high by-pass pressures for increased productivity. Its high power-to-weight ratio and compact design make it ideal for applications which require easy transport of the pump.

For further application assistance contact your local Enerpac office.

ATEX Certified

The ZA-series pumps are tested and certified according to the **Equipment Directive 94 / 9 / EC "ATEX Directive"**.

The explosion protection is for equipment group II, equipment category 2 (hazardous area zone 1), in gas and/or dust atmospheres. The ZA-series pumps are marked with: Ex II 2 GD ck T4.



ZA4T Series

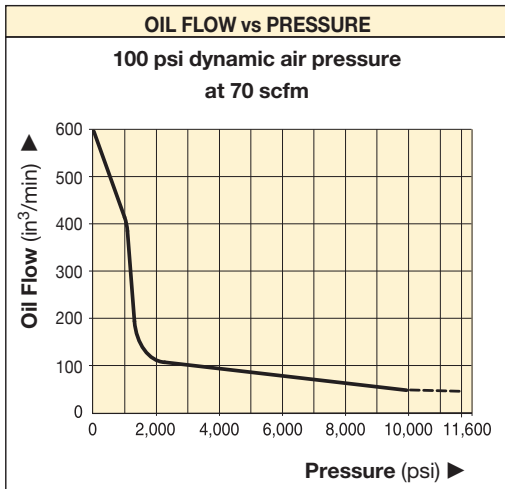


Reservoir Capacity:
1 and 1.75 gal.

Flow at 10,000 psi:
60 in³/min.

Air Consumption:
20-100 scfm

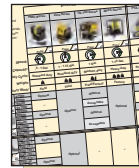
Maximum Operating Pressure:
10,000 and 11,600 psi



COMMON PUMP MODELS

For Use With Torque Wrenches	Maximum Operating Pressure (psi)	Model Number ¹⁾	Usable Oil Capacity (gal)	Weight with Oil (lbs)
For all S- and W- Series (X-Edition)	10,000	ZA4204TX-Q	1.0	94
	10,000	ZA4208TX-Q	1.75	100
	10,000	ZA4204TX-QR	1.0	101
	10,000	ZA4208TX-QR	1.75	112
For all SQD- and HXD-Series	11,600	ZA4204TX-E	1.0	94
	11,600	ZA4208TX-E	1.75	100
	11,600	ZA4204TX-ER	1.0	101
	11,600	ZA4208TX-ER	1.75	112

¹⁾ All models meet CE safety requirements and all TÜV requirements.



Torque Wrench Pump Selection Matrix

For optimum speed and performance see the torque wrench, pump and hose selection matrix.

Page: 24



Accessory Options

Available by placing the following additional suffix at the end of the model number:

- K** = Skidbar
- M** = 4-wrench manifold
- R** = Roll cage

Page: 37



Pump Ratings

-Q suffix pumps are for 10,000-psi torque wrenches, and include spin-on couplers.

-E suffix pumps are for use with Enerpac SQD and HXD 11,600 psi torque wrenches, and include polarized lock-ring safety couplers.

ZA4T Ordering Matrix and Specifications

▼ This is how a ZA4-Series pump model number is built up:



1 Product Type 2 Motor Type 3 Flow Group 4 Valve Type 5 Reservoir Size 6 Valve Operation 7 Voltage 8 Must be E or Q 8 Options 8 Options

1 Product Type

Z = Pump Series

2 Motor Type

A = Air motor

3 Flow Group

4 = 60 in³/min @ 10,000 psi

4 Valve Type

2 = Torque Wrench Valve

5 Reservoir Size (useable capacity)

04 = 1.0 gallon

08 = 1.75 gallons

6 Valve Operation

T = Air operated valve with pendant

7 Voltage

X = Not applicable

8 Factory installed features and options

E = 11,600 psi coupler for use with HXD- and SQD-Series wrenches

Q = 10,000-psi coupler for use with S- and W-Series or other wrenches

K = Skidbar

M = 4-wrench manifold

R = Roll cage



How to order your ZA4-Series torque wrench pump

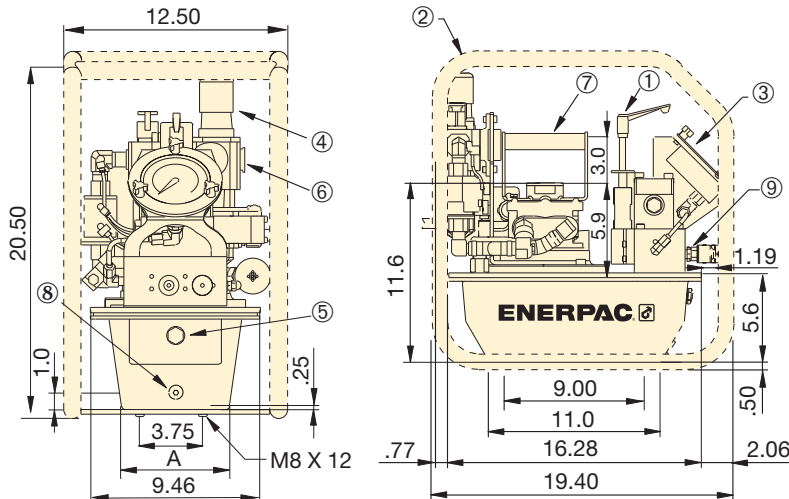
Ordering Example 1

Model No. ZA4208TX-QMR

10,000-psi pump for use with Enerpac S- and W-Series and other 10,000-psi torque wrenches, 1.75-gallon reservoir, 4-wrench manifold, and roll cage.

Refer to the torque wrench pump selection matrix for optimum wrench, pump and hose combinations.

Dimensions shown in inches.



- ① User adjustable relief valve
- ② Roll bar cage (optional)
- ③ Gauge with overlays
- ④ Filter/lubricator/regulator
- ⑤ Oil level sight gauge
- ⑥ Air input 1/2" NPTF
- ⑦ Standard handle
- ⑧ Oil drain
- ⑨ 1/4"-18 NPTF Oil Outlet

ZA4-Series Torque Wrench Pumps

Reservoir Size (useable gallons)	A (in)
1	6.0
1.75	8.1

▼ Most hydraulic torque wrenches can be powered by the Enerpac ZA4-Series torque wrench pump.



Output Flow Rate (in ³ /min)					ZA4 Performance			
100 psi	700 psi	5,000 psi	10,000 psi	11,600 psi	Dynamic Air Pressure Range (psi)	Air Consumption (scfm)	Sound Level at 100 psi Dynamic (dBA)	Relief Valve Adjustment Range (psi)
600	500	80	60	55	60-100	20-100	80-95	1,400-10,000*

* Pump type (-Q) shown.

ZA4T Torque Wrench Pump Options



Skidbar

- Provides greater pump stability on soft or uneven surfaces
- Provides two-handed lift

Accessory Kit No. *	Can be used on ZA4-Series torque wrench pumps
SBZ-4	1 and 1.75-gallon reservoir

* Add suffix **K** for factory installation.
Skidbar weight 4.9 lbs.

Ordering Example:

Model No. ZA4208TX-QK



4-Wrench Manifold

- For simultaneous operation of multiple torque wrenches
- Can be factory installed or ordered separately

Accessory Kit No. *	Can be used on ZA4-Series torque wrench pumps
ZTM-E	for 11,600-psi torque wrenches
ZTM-Q	for 10,000-psi torque wrenches

* Add suffix **M** for factory installation.

Ordering Example:

Model No. ZA4208TX-QM

ZA4T Series



Reservoir Capacity:

1 and 1.75 gal.

Flow at 10,000 psi:

60 in³/min.

Air Consumption:

20-100 scfm

Maximum Operating Pressure:

10,000 and 11,600 psi



10,000-psi Spin-on Couplers

Model No.: TH-630 male coupler
TR-630 female coupler

- Mounted on:
 - Torque wrench pumps with suffix "Q"
 - S and W-Series wrenches
 - THQ-Series hoses
 - 4-Wrench manifold ZTM-Q



10,000-psi Lock-ring Couplers

Model No.: CMF-250 male coupler
CFF-250 female coupler

- Mounted on:
 - Torque wrench pumps with suffix "E"
 - THC-Series hoses
 - 4-Wrench manifold ZTM-E



Roll Cage

- Protects pump
- Provides greater pump stability

Accessory Kit No. *	Can be used on ZA4-Series torque wrench pumps
ZRC-04	1 and 1.75-gallon reservoir

* Add suffix **R** for factory installation.
Roll bar cage weight 7.5 lbs.

Ordering Example:

Model No. ZA4208TX-QR