

▼ Shown: EPHR-110



- Patented “Safety Cage” jaw retention system
- High force hydraulic system for effortless pulling of large components
- Slim tapered jaws for better gripping in tight spots
- Available in 2 and 3 jaw design
- More efficient pulling, as one man can do the job where normal pullers often require two operators

## High-Tech Pulling



### Transport and Store

Conveniently store and transport hydraulic pullers and accessories. Order the **EPT-2550** Storage Cart and make your job easier to do!



### Long Jaws

Long Jaws are used to increase the reach and spread of hydraulic pullers. They maintain the same pulling capacity as the standard jaws, but reduces clamping force by 25%.

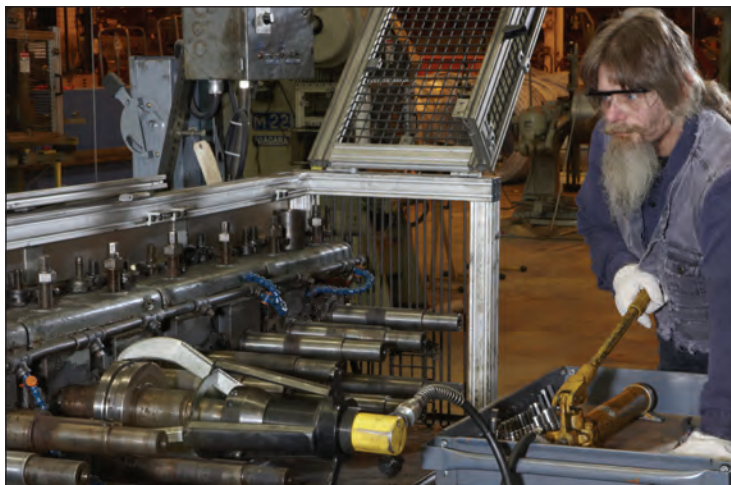
Page: 180



### Application Tip

Because of the unique safety cage design, Posi Lock® pullers will grip on surfaces where normal pullers would slip off; e.g. tapered bearings.

▼ An EPH-113 hydraulic Posi Lock® puller easily removes machined parts from a heavy-production press.



Basic Pullers only, cylinder not included.

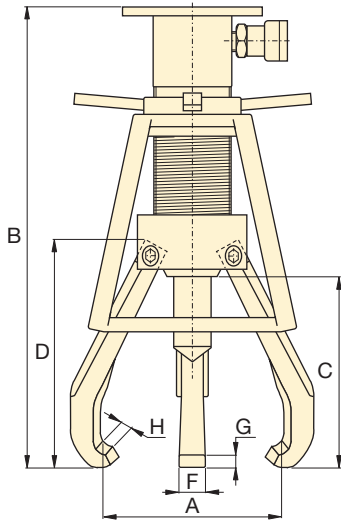
Number of Jaws	Maximum Spread	Spread Range	Capacity	Model Number*
	(in)	(in)		
2	12.00	.75-12.0	10	EPH-208
3	12.00	.75-12.0		EPH-108
2	15.00	1.0-15.0	15	EPH-210
3	15.00	1.0-15.0		EPH-110
2	18.00	2.5-18.0	25	EPH-213
3	18.00	2.5-18.0		EPH-113
2	25.00	3.0-25.0	50	EPH-216
3	25.00	3.0-25.0		EPH-116

\*Cylinder is not included.

# Posi Lock® Hydraulic Grip Pullers

## ▼ SETS SELECTION CHART

Style	Capacity (ton)	Basic Puller	Cylinder	Stroke (in)	Pump Set	Set Model Number	Weight (lbs)
2 Jaw Puller	10	EPH-208	RC-106	6	-	EPHR208	24
	10	EPH-208	RC-106	6	EP-1	EPHS208	60
	15	EPH-210	RC-1510	10	-	EPHR210	49
	15	EPH-210	RC-1510	10	EP-1	EPHS210	85
	25	EPH-213	RC-2514	14.25	-	EPHR213	98
	25	EPH-213	RC-2514	14.25	EP-1	EPHS213	118
	50	EPH-216	RC-5013	13.25	-	EPHR216	192
	50	EPH-216	RC-5013	13.25	EP-2	EPHS216	212
3 Jaw Puller	10	EPH-108	RC-106	6	-	EPHR108	26
	10	EPH-108	RC-106	6	EP-1	EPHS108	62
	15	EPH-110	RC-1510	10	-	EPHR110	52
	15	EPH-110	RC-1510	10	EP-1	EPHS110	88
	25	EPH-113	RC-2514	14.25	-	EPHR113	106
	25	EPH-113	RC-2514	14.25	EP-1	EPHS113	126
	50	EPH-116	RC-5013	13.25	-	EPHR116	202
	50	EPH-116	RC-5013	13.25	EP-2	EPHS116	222



## EPH Series



Capacity:

**10-50 tons**

Maximum Reach:

**8.0-14.0 inches**

Spread Range:

**0.75-25.0 inches**

Maximum Operating Pressure:

**10,000 psi**



### Pump Sets

All Posi Lock Hydraulic Puller Sets that include 115 VAC pumps will feature the following components:

	EP-1 Pump Set	EP-2 Pump Set
Pump	PUJ-1200B	ZE3208MB
Hose	HC-9210	HC-9210
Gauge	G-2535L	G-2535L
Adapter	N/A	GA-3

Components for 230 VAC pumps are available on request.

### ▼ \*Optional Accessory

Dimensions (in)							Weight (lbs)	Model Number	Ram Point Sets	Lift Plates	*Long Jaws
Spread Range	Overall Length	Max. Reach	Jaw Length	Jaw Width	Tip Clearance	Tip Depth					
A	B	C	D	F	G	H					
.75-12.0	19.61	8.00	9.34	.88	.29	.27	14	EPH-208	EPH-155	EPH-11052	EP-11054
.75-12.0	19.61	8.00	9.34	.88	.29	.27	16	EPH-108	EPH-155	EPH-11052	EP-11054
1.0-15.0	26.19	10.00	10.64	1.00	.441	.36	22	EPH-210	EPH-155	EPH-11052	EPH-11054L
1.0-15.0	26.19	10.00	10.64	1.00	.441	.36	25	EPH-110	EPH-155	EPH-11052	EPH-11054L
2.5-18.0	33.31	12.00	13.72	1.25	.508	.38	47	EPH-213	EPH-257	EPH-11352	EPH-11354L
2.5-18.0	33.31	12.00	13.72	1.25	.508	.38	55	EPH-113	EPH-257	EPH-11352	EPH-11354L
3.0-25.0	36.19	14.00	16.29	1.44	.598	.46	90	EPH-216	EPH-508	EPH-11652	-
3.0-25.0	36.19	14.00	16.29	1.44	.598	.46	100	EPH-116	EPH-508	EPH-11652	-

For full details on puller accessories see page 170.

\* Long Jaws are available as optional accessories.

## EPH Series



Capacity:  
**10-50 tons**

Maximum Reach:  
**9.7-20.0 inches**




Spread Range:  
**1.5-30.0 inches**



### IMPORTANT!

Always wear Safety Goggles and Gloves while using pullers.

### ▼ RAM POINT SETS SELECTION CHART

Fits Model Number	EPH-208 EPH-108 EPH-210 EPH-110	EPH-213 EPH-113	EPH-216 EPH-116
			
Set Number	EPH-155	EPH-257	EPH-508
Set Includes	Dia. x Length (in)	Dia. x Length (in)	Dia. x Length (in)
Flat Ram Point	1 x 1	1.5 x 2.25	2 x 3
	1 x 3	2 x 2.25	2.75 x 3
	–	2 x 4	2.75 x 5
Tapered Ram Point	1 x 1.5	1.5 x 2.5	2 x 3.75
	1 x 3.5	2 x 2.5	2 x 3.75
	–	2 x 4.5	2.75 x 5.5
Ram Point Adaptor	–	–	2.75 x 2.25

### ▼ LIFT PLATE SELECTION CHART

Fits Puller Set Model Number	Model Number *	Thickness (in)	Diameter (in)
EPH-208	EPH-11052	.25	6
EPH-108	EPH-11052	.25	6
EPH-210	EPH-11052	.25	6
EPH-110	EPH-11052	.25	6
EPH-213	EPH-11352	.38	8
EPH-113	EPH-11352	.38	8
EPH-216	EPH-11652	.38	10
EPH-116	EPH-11652	.38	10



\* Mounting screws included. Lifting plates are standard included with EPH-Series Pullers.

### ▼ LONG JAW SELECTION CHART

Fits Puller Set Model Number	Model Number	No. of Jaws Required	Spread Range (in)	Max. Reach (in)	Wt. (each) (lbs)
EPH-208	EP-11054	2	2.25 - 15.0	9.7	2.5
EPH-108		3			
EPH-210	EPH-11054L	2	1.5 - 22.0	15.8	5.5
EPH-110		3			
EPH-213	EPH-11354L	2	1.5 - 30.0	20.0	10.5
EPH-113		3			



#### ◀ EPH-11054L

Long Jaws are used to increase the reach and spread of hydraulic pullers. They maintain the same pulling capacity as the standard jaws, but reduces clamping force by 25%.