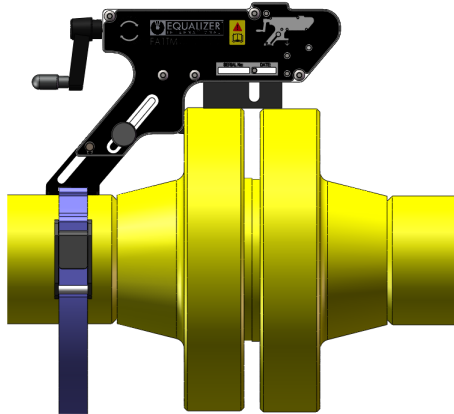


Now that everything is secured, rotate the handle clockwise to apply pressure to the circumference of the opposite flange & bring the flange joint in alignment.



WARNING: Do not exceed hand pressure on the crank handle

Once in alignment the bolts may be inserted and tightened. After replacing all of the bolts (apart from the bolt which will go into the bolt-hole in which the FA1TM is located) remove the tool by reversing the previous steps. Insert the last bolt and tighten.



WARNING: Care should be taken not to drop any of the component parts when removing them from the flange joint. This action will prevent injuries to either the operator's lower limbs, or to passers-by.

4.4

FA1TM KIT CONTENTS

Product Code: FA1TMSTD

- 1 x FA1TM Tool
- 1 x Mini Ratchet Strap
- 1 x Instruction Manual



Box Dimensions:

180.0mm x 330.0mm x 220.0mm
(7.1" x 13.0" x 8.7")

Tool only Weight: 2.1 kg (4.63 lb)
Gross Kit Weight: 2.3 kg (5.07 lb)