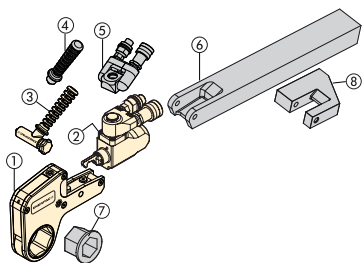


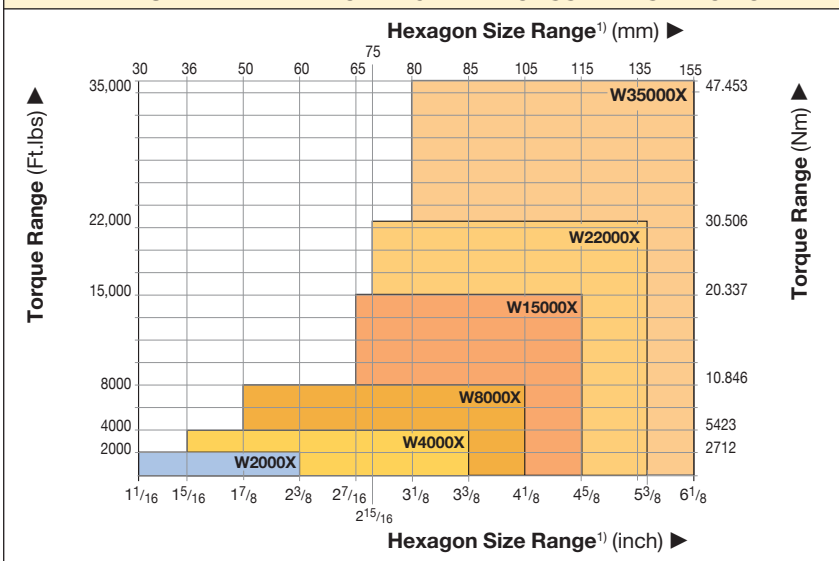
W-Series, X-Edition Hexagon Wrenches



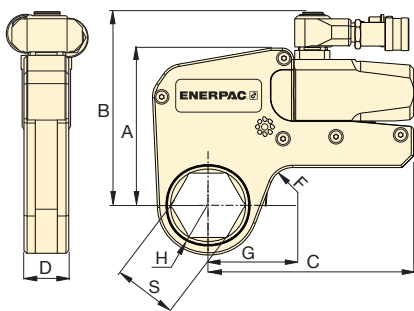
Hexagon Cassettes and Reducer Inserts
Full range of interchangeable hexagon cassettes and reducing inserts provides maximum versatility. Details available at www.enerpac.com

- ① Hexagon Cassette
- ② Drive Unit
- ③ Angled Positioning Handle
- ④ Straight Positioning Handle (optional)
- ⑤ Pro Series Swivel (optional)
- ⑥ Extended Reaction Arm (optional)
- ⑦ Reducer Insert (optional)
- ⑧ Reaction Paddle (optional)


DRIVE UNIT AND INTERCHANGEABLE CASSETTE SELECTION



¹⁾ See page 285 for table of hexagon sizes of bolts, nuts and related thread diameters.



SELECTION CHART

| Hexagon Range * | Nominal Torque at 10,000 psi | | Drive Unit Model Number ** | Minimum Torque | | Dimensions (see pages 214-221 for dimensions H, G, and S) | | | | | Weight (Drive unit without hexagon cassette) | | | |
|--|------------------------------|--------|----------------------------|----------------|------|---|-------|-------|-------|------|--|---|-------|---|
| | (in) | (mm) | | (Ft.lbs) | (Nm) | (Ft.lbs) | (Nm) | (in) | A | B | | C | D | F |
|  Page: 214 | | | | | | | | | | | | | | |
| 1 1/16 - 2 3/8 | 30 - 60 | 2040 | 2766 | W2000X | 204 | 277 | 4.29 | 5.55 | 5.83 | 1.26 | .79 | | 3.04 | |
| 1 5/16 - 3 3/8 | 36 - 85 | 4175 | 5661 | W4000X | 418 | 566 | 5.35 | 6.57 | 7.01 | 1.61 | .79 | | 4.44 | |
| 1 7/8 - 4 1/8 | 50 - 105 | 8470 | 11,484 | W8000X | 847 | 1148 | 6.77 | 8.07 | 8.19 | 2.07 | .98 | | 6.59 | |
| 2 7/16 - 4 5/8 | 65 - 115 | 15,330 | 20,785 | W15000X | 1533 | 2079 | 8.15 | 9.45 | 9.96 | 2.48 | .79 | | 10.72 | |
| 2 15/16 - 5 3/8 | 75 - 135 | 22,500 | 30,506 | W22000X | 2250 | 3050 | 8.94 | 10.46 | 11.68 | 3.03 | 1.38 | | 16.98 | |
| 3 1/8 - 6 1/8 | 80-155 | 35,000 | 47,453 | W35000X | 3500 | 4745 | 10.54 | 11.94 | 13.60 | 3.57 | 1.98 | | 26.40 | |

* With in-line reaction foot.

** To order a W-series (X-Edition) wrench fitted with the TSP swivel, insert a "P" prior to the "X" in the tool designation. e.g., **W2000PX**.

W Series (X-Edition)



Nominal Torque at 10,000 psi:

35,000 Ft.lbs

Hexagon Range:

1 1/16 - 6 1/8 inch

Nose Radius:

1.22-4.52 inch

Maximum Operating Pressure:

10,000 psi



Torque Wrench Pump Selection Matrix

For optimum speed and performance see the torque wrench and pump matrix.

Page: **232**

▼ These rigid steel wrenches with low profile interchangeable hexagon cassettes guarantee durability and maximum versatility in bolting applications.

